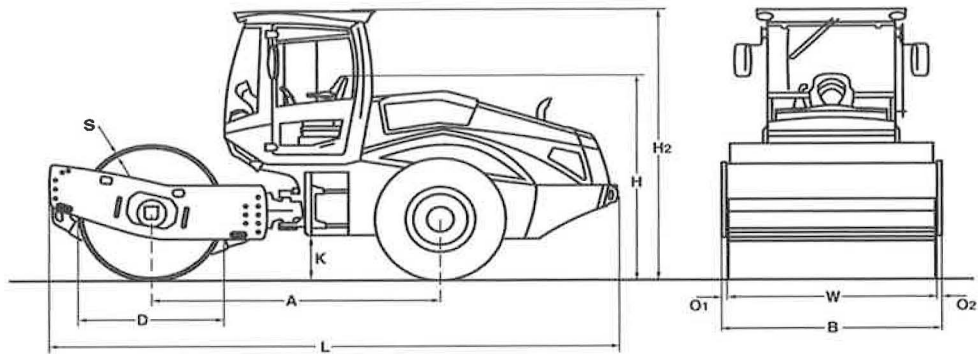




TECHNICAL DATA

SINGLE DRUM ROLLERS

BW 213 D-5



Dimensions in mm

	A	B	D	H	H2	K	L	O1	O2	S	W
BW 213 D-5	2975	2270	1500	2250	2990	490	5870	70	70	30	2130

Shipping dimensions in m3

BW 213 D-5

without ROPS

29,981

with ROPS

39,841

Machine type	Compaction output (m3/h)			
	Rock fill	Gravel, sand	Mixed soil	Silt, clay
BW 213 D-5	470-940	300-600	240-480	120-240

Machine type	Compacted layer thickness (m)			
	Rock fill	Gravel, sand	Mixed soil	Silt, clay
BW 213 D-5	0,80	0,50	0,40	0,20



Technical Data

**BOMAG
BW 213 D-5**

Weights

Grossweight	kg	14.800
Operating weight CECE w. ROPS-cabin	kg	12.600
Axle load, drum CECE	kg	7.550
Axle load, wheels CECE	kg	5.050
Static linear load CECE	kg/cm	35,4

Dimensions

Working width	mm	2.130
Track radius, inner	mm	3.680

Driving Characteristics

Speed (1)	km/h	0- 5,0
Speed (2)	km/h	0- 6,0
Speed (3)	km/h	0- 8,0
Speed (4)	km/h	0- 11,0
Speed	km/h	
Max. gradeability without/with vibr.	%	45/43

Drive

Engine manufacturer		Deutz
Type		TCD 3.6 L4
Emission stage		Stage IV / TIER4f
Exhaust gas aftertreatment		DOC+SCR
Cooling		Liquid
Number of cylinders		4
Performance ISO 3046	kW	95,0
Performance SAE J 1995	hp	128,0
Speed	min-1	2.000
Fuel		Diesel
Electric equipment	V	12
Drive system		hydrost.
Drum driven		standard

Drums and Tyres

Number of pad feet		
Area of one pad foot	cm ²	
Height of pad feet	mm	
Tyre size		23.1-26 12PR

Brakes

Service brake		hydrost.
Parking brake		hydromec.

Steering

Steering system		oscil.artic.
Steering method		hydrost.
Steering / oscillating angle +/-	grad	35/12

Exciter system

Drive system		hydrost.
Frequency	Hz	30/34
Amplitude	mm	2,10/1,10
Centrifugal force	kN	285/196
Centrifugal force	t	29,1/20,0

Capacities

Fuel	l	220,0
------------	---	-------

Technical modifications reserved. Machines may be shown with options



Standard Equipment

- BOMAG ECOMODE
- Warning, information and operation displays with LCD
- Noise insulation
- Hydrostatic travel and vibration drive
- Hydrostatic articulated steering
- Articulated joint lock
- Rear axle with twin spring accumulator brakes
- No-Spin differential lock
- Warning horn
- Single lever control for travel and vibration
- Seat with arm rest and adj. for position and height
- 2 Scrapers
- Emergency STOP
- Back-up alarm
- Working lights front / rear
- Double pump system for travel drive (DH/PDH)
- Tractor tires (PD)
- Loading mode
- Sliding window
- Battery disconnect switch

Optional Equipment

- * ROPS/FOPS cabin with seat belts
 - Sliding window
- ROPS/FOPS with safety belt
- Air condition
- Rearview camera
- ECONOMIZER
- TERRAMETER
- BOMAG ECOSTOP
- BOMAG TELEMATIC POWER
- Padfoot segment kit (D/DH)
- Radio (Bluetooth)
- Indicator and hazard lights
- BCM 05 Documentation system
- Special painting
- Rotary beacon
- Pre start cabin heating
- Environmentally compliant hydraulic oil
- Comfort package: Adjustable seat and adjustable steering column
- Measuring- and machine data interface for third-party suppliers
- Blade (DH/PDH)
- LED Working lights (Cabin)
- Reversing alarm buzzer with broad band audio

* Standard delivery with CE conformity
(valid within European Union)

