



*Articulated Dumper*

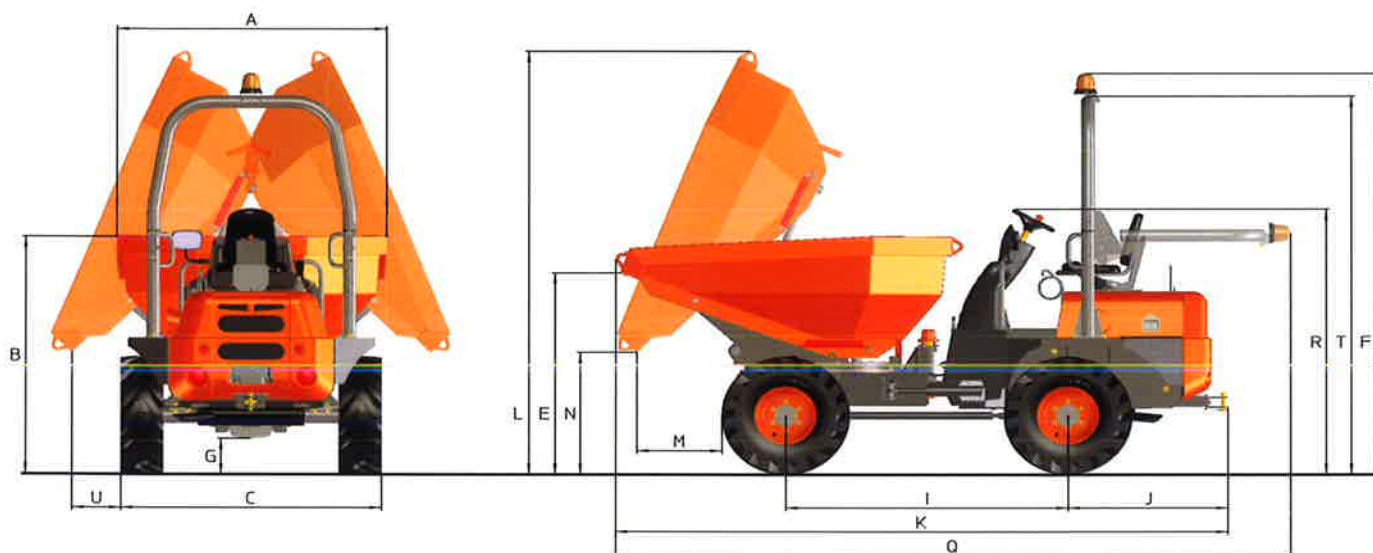
**D 601 AHG**



TECHNICAL DATA

<b>GENERAL</b>		<b>D 601 AHG M6600</b>
Unloading system		Rotating
Load capacity	Kg	6000
Chassis		Articulated and oscillating
Water hopper capacity	l	1665
Level hopper capacity	l	2455
Heaped hopper capacity	l	3154
Empty weight	Kg	4490
Transmission		Hydrostatic
<b>ENGINE</b>		
Brand		DEUTZ
Model		TD 3.6 L4
Power	kW	55.4
Operating speed	rpm	2200
Torque	Nm@rpm	330@1600
No. of cylinders		4
Emissions		Stage IIIB - Tier 4
Noise	dB(A)	101
Consumption	l/h	13
CO <sub>2</sub>	Kg/h	10,4
<b>DRIVING</b>		
Max. speed	Km/h	25
Maximum gradient	%	45
External turning radius	mm	5900
Traction		4x4
Tyres		500/60-22,5" (16 PR)
<b>HYDRAULIC SYSTEM</b>		
Hydraulic circuit	cc	25
Working pressure	bar	180
<b>TANK CAPACITY</b>		
Fuel	l	69
Hydraulic system	l	60
<b>BRAKES</b>		
Service		Sealed brakes with multiple discs in oil. Hydraulic drive
Parking		Sealed brakes with multiple discs in oil. Mechanical drive

DIMENSIONS



DIMENSIONS (mm)	D 601 AHG
A	2197
B	2103
C	2206
E	1736
F	3428
G	370
I	2490
J	1340
K	4910
L	3634
M	574
N	1212
Q	5413
R	2232
T	3256
U	102