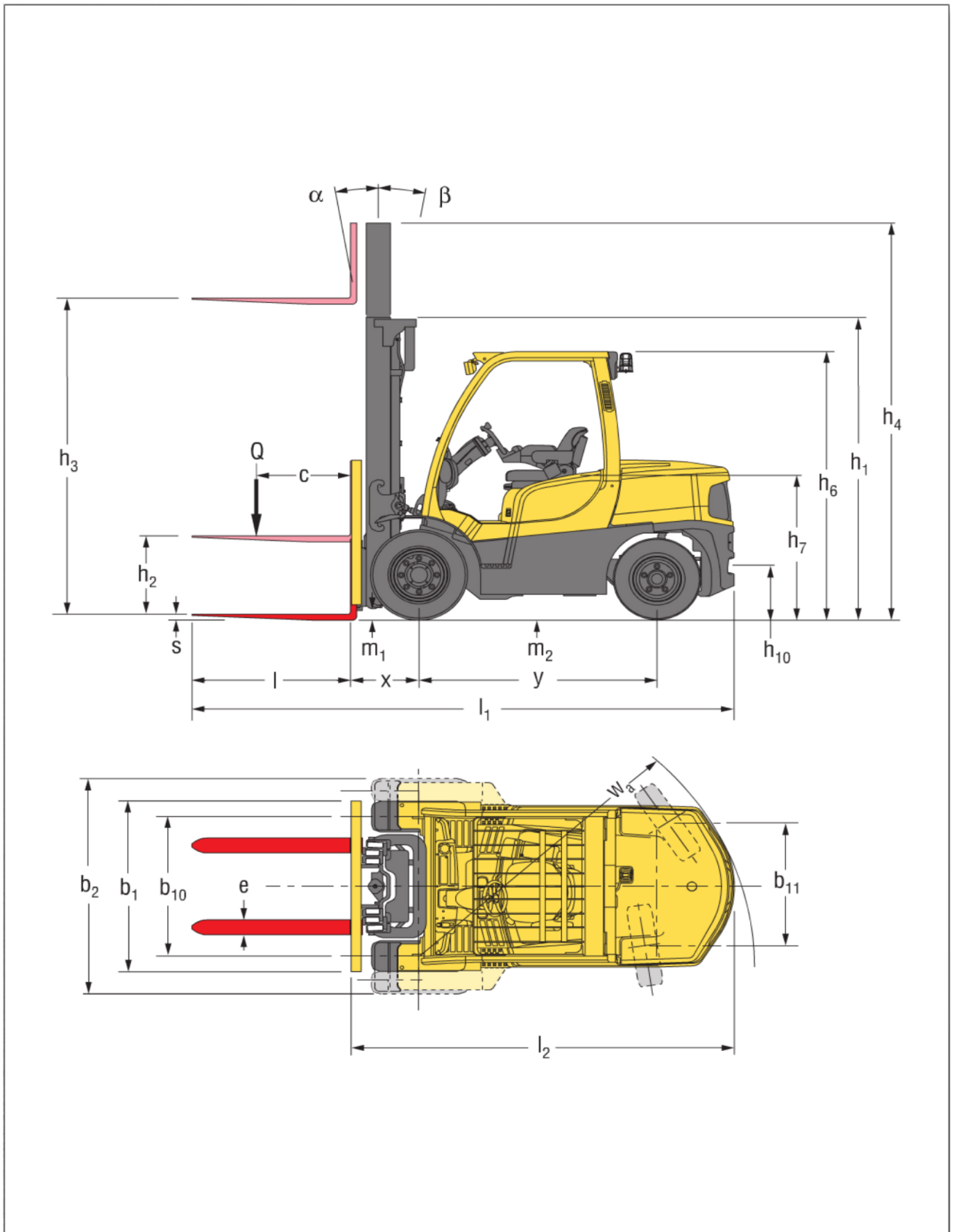




H5.5FT FORTENS ADVANCE

GENERAL	1-1	Manufacturer			HYSTER
	1-2	Model designation			H5.5FT
		Model			Fortens Advance
		Engine / transmission			Kubota 3.8L DuraMatch™ 1-speed
		Brake type			Premium Oil Immersed Brakes
	1-3	Drive			Diesel
	1-4	Operator type			Seated
	1-5	Rated capacity/rated load	Q ₁	t	5.5
	1-6	Load centre distance	c	mm	600
	1-8	Load distance, centre of drive axle to fork	x	mm	591
1-8-1	Load distance, centre of drive axle to fork (ISS Carriage)	x	mm	608	
1-9	Wheelbase	y	mm	2100	
WEIGHT	2-1	Service weight		kg	7811
	2-2-1	Axle loading with load, front / rear		kg	11754 1558
	2-3-1	Axle loading without load, front / rear		kg	3134 4677
WHEELS	3-1	Tyre type			Superelastic
	3-2	Tyre size, front			300x15
	3-3	Tyre size, rear			28x9-15
	3-5	Wheels, number front / rear (x = driven wheels)			2x / 2
	3-6	Tread, front	b ₁₀	mm	1150
	3-7	Tread, rear	b ₁₁	mm	1162
	DIMENSIONS	4-1	Tilt of mast / fork carriage forward / backward		(°)
4-2		Height, mast lowered	h ₁	mm	2215
4-3		Free lift (1)	h ₂	mm	100
4-4		Lift (1)	h ₃	mm	2740
4-5		Height, mast extended (2)	h ₄	mm	3730
4-7		Height of overhead guard (cabin)	h ₆	mm	2300
4-8		Seat height relating to SIP (3)	h ₇	mm	429
4-12		Coupling height	h ₁₀	mm	4457
4-19		Overall length	l ₁	mm	4541
4-20		Length to face of forks (Standard Carriage)	l ₂	mm	3341
4-20-1		Length to face of forks (Integrated Side Shift Carriage)	l ₂	mm	3358
4-21		Overall width	b ₁ ,b ₂	mm	1450 / 1575 / 1875
4-22		Fork dimensions DIN ISO 2331	s/e/l	mm	60 x 150 x 1200
4-23		Fork carriage ISO 2328, class/type A, B		mm	IVA
4-24		Fork carriage width (Standard Carriage) (4)	b ₃	mm	1219
4-24		Fork carriage width (ISS Carriage) (4)	b ₃	mm	1372
4-31		Ground clearance, laden, below mast	m ₁	mm	194
4-32		Ground clearance, centre of wheelbase	m ₂	mm	237
4-34-1		Aisle width for pallets 1000 × 1200 crossways (5)	A _{st}	mm	4906
4-34-4		Aisle width for pallets 800 × 1200 crossways (5)	A _{st}	mm	4906
4-35	Turning radius	W _a	mm	2915	
4-36	Internal turning radius	b ₁₃	mm	800	
PERFORMANCE	5-1	Travel speed with / without load		km/h	18.6 19.2
	5-1-1	Travel speed, laden/unladen, backwards		km/h	18.6 19.2
	5-2	Lifting speed with / without load		m/s	0.45 0.46
	5-3	Lowering speed with / without load		m/s	0.51 0.42
	5-5	Drawbar pull, laden/unladen (6)		N	27302 17976
	5-7	Gradeability - 1.6 km/h, with / without load (7)		%	21.7 24.8
	5-9	Acceleration time, laden/unladen		s	5.6 4.5
	5-10	Service brake			Hydraulic
	7-5	Fuel consumption according to VDI cycle		l/h	5.8

TRUCK DIMENSIONS





MAST AND CAPACITY INFORMATION

H5.5FT RATED CAPACITY KG@ 600-700 MM LOAD CENTRE

	Maximum fork height h ₃ + s (mm)	Mast tilt (°)		Lowered height h ₁ (mm)	Extended height h ₄ (mm)		Free lift height h ₂ + s (m)	Superelastic tyres				Radial tyres			
		F	B		w/o LB	w LB		Without sideshift (kg)		With ISS (kg)		Without sideshift (kg)		With ISS (kg)	
								H5.5FT		H5.5FT		H5.5FT		H5.5FT	
								600 LC	700 LC	600 LC	700 LC	600 LC	700 LC	600 LC	700 LC
2-STAGE LIMITED FREE LIFT	2800	6°	10°	2215	3730	4065	160	5500	5280	5500	5130	5500	5280	5500	5130
	3400	6°	10°	2515	4330	4665	160	5500	5260	5500	5120	5500	5260	5500	5120
	4000	6°	10°	2815	4930	5265	160	5500	5250	5500	5100	5500	5250	5500	5100
	4700	6°	6°	3265	5630	5965	160	5380	5110	5370	4970	5380*	5110*	5370*	4960*
	5300	6°	6°	3665	6230	6565	160	5230	4940	5190	4800	5220*	4930*	5180*	4790*
2-STAGE FULL FREE LIFT	5900	6°	6°	4065	6830	7165	160	5050	4750	5000	4620	5050**	4750**	4990**	4610**
	2825	6°	10°	2215	3810	4090	1230	5500	5250	5500	5100	5500	5250	5500	5100
3-STAGE FULL FREE LIFT	3425	6°	10°	2515	4410	4690	1530	5500	5230	5500	5080	5500	5230	5500	5080
	4145	6°	6°	2215	5130	5415	1230	5500	5210	5490	5070	5500	5210	5490	5070
	5000	6°	6°	2515	5985	6265	1530	5290	5000	5260	4860	5290*	4990*	5260*	4860*
	5300	6°	6°	2615	6285	6565	1630	5210	4920	5170	4780	5210**	4910**	5170**	4780**

RATED CAPACITIES

