

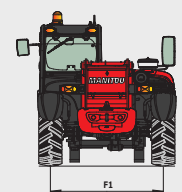
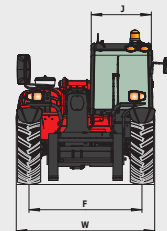
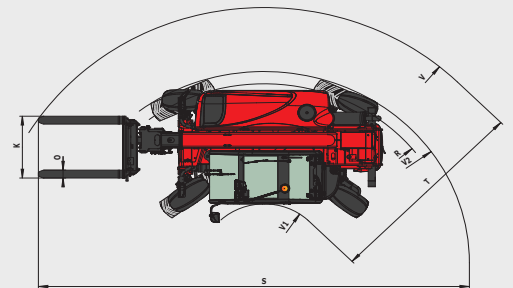
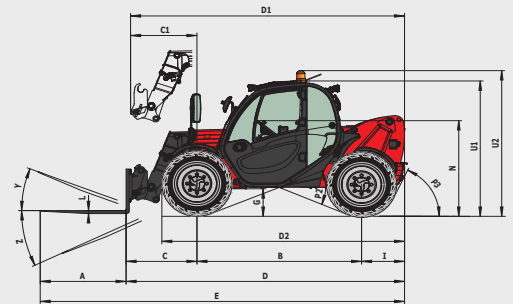
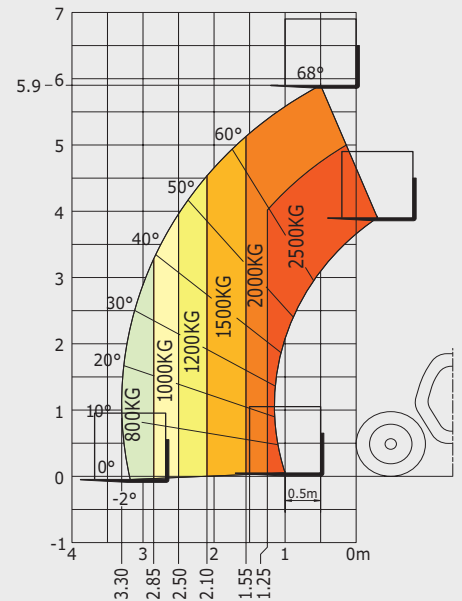
MLT 625-75 H



MLT 625-75 H	
Lifting	
Max. capacity	2500 kg
Max. lifting height	5.90 m
Break-out force with bucket (ISO 8313)	4205 daN
Unladen time	
Lifting	7.3 s
Lowering	4.95 s
Extension	5.2 s
Retraction	3.7 s
Crowd	3.2 s
Dump	3.2 s
Tyres	12.0-18 12 PR
Service brake	hydraulic oil immersed multi-disc braking
Engine	KUBOTA STAGE III B / FINAL TIER 4
Type	V3307-DI-T-E4B
Cubic capacity	4 cylinders - 3331 cm ³
Power	75 HP/55.4 kW Turbo
Max. torque	265 Nm
Injection	direct
Cooling	water
Laden drawbar pull	3240 daN
Transmission	hydrostatic
Reversing shift	electro-hydraulic
Number of gears (forward/reverse)	2/2
Max. travel speed (may vary according to applicable regulations)	30 kph
Steering mode	4 wheel steer - 3 Steering Modes
Controls	JSM® Joystick multi-fonction Load Limiter Cut off system - EN15000 Norm
Hydraulics	
Pump	gear type with priority valve 90 l/min - 235 bar
Capacities	
Cooling system	12 l
Engine oil	11.2 l
Hydraulic oil	115 l
Fuel	63 l
Unladen weight (with forks)	4932 kg
Dimensions	
C. Front wheel centre to carriage	0.99 m
B. Wheelbase	2.30 m
I. Rear wheel centre to rear face	0.60 m
D. Overall length to carriage	3.89 m
G. Ground clearance	0.38 m
J. Overall width of cab	0.79 m
F. Inside tyre width	1.50 m
W. Overall width	1.81 m
U1. Overall height	2.00 m
Standard forks (length x width x thickness)	1200 x 125 x 45 mm
Turning radius (over tyres)	3.31 m
Noise and vibration	
Noise at driving position (LpA)	76 dB
Environmental noise (LwA)	104 dB
Vibration to whole hand/arm	<2.50 m/s ²

Rough terrain load chart standard EN1459 B

Machine on tyres with forks



mm		D2		K		S		W	
A	1200	E	5094	L	45	T	3475	Y	12°
B	2300	F	1500	N	1398	U1	2000	Z	117°
C	991	F1	1500	O	125	U2	2167		
C1	928	G	378	P2	45°	V	4240		
D	3894	I	603	P3	65°	V1	765		
D1	3831	J	797	R	3033	V2	3310		