

**MRT 2550 PRIVILEGE PLUS**

Gemaakt op 14 april 2021 om 08:22:13 UTC

Technische fiche :

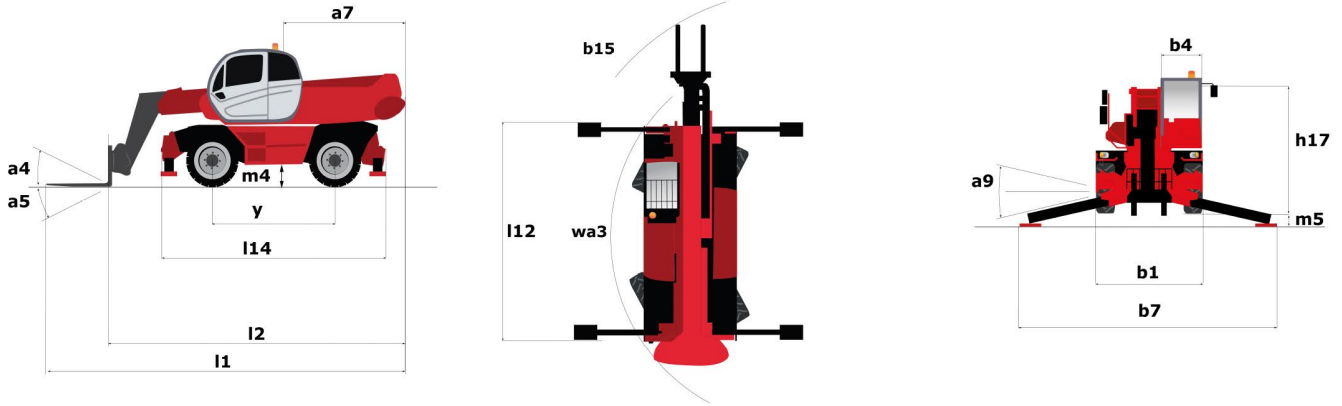
# **MRT 2550 PRIVILEGE PLUS**





| Capacities  |           | Metrisch                                  |
|---|-----------|---|
| Max. capacity   | Q         | 4999 kg                                   |
| Max. lifting height                                   | h3        | 24.7 m                                    |
| Max. Reach  | l4        | 21.4 m                                    |
| Weight and dimensions                                 |           |   |
| Overall width   | b1        | 2.49 m                                    |
| Overall height  | h17       | 3.05 m                                    |
| Overall cab width                                     | b4        | 0.99 m                                    |
| Outer frame turning radius                            | Wa3       | 5.23 m                                    |
| Ground clearance                                      | m4        | 0.35 m                                    |
| Wheelbase   | y         | 3.05 m                                    |
| Tilt-up angle   | a4        | 13 °                                      |
| Tilt-down angle                                       | a5        | 102 °                                     |
| Turret rotation                                       |           | 360 °                                     |
| Overall weight  |           | 18900 kg                                  |
| Forks length / width / section                        | l / e / s | 1200 mm x150 mm x 50 mm                   |
| Wheels  |           |   |
| Tyres type  |           | Pneumatic                                 |
| Standard tyres  |           | 445/65 R22,5                              |
| Drive wheels (front / rear)                           |           | 2 / 2                                     |
| Steering mode   |           | 2 wheel steer, 4 wheel steer, Crab mode   |
| Stabilisers   |           |   |
| Stabs Type  |           | Telescopic Duplex                         |
| Controls with stabs                                   |           | Stabs Commands Individual or Simultaneous |
| Engine  |           |   |
| Engine brand  |           | Mercedes                                  |
| Engine norm   |           | Stage IV / Tier 4 Final                   |
| Engine model  |           | OM 934 LA.E4-5                            |
| I.C. Engine power rating / Power (kW)                 |           | 156 Hp / 115 kW                           |
| Max. torque / Engine rotation (min) / Engine rotation |           | 675 Nm @ 1200 rpm - 1600 rpm              |
| Number of cylinders - Capacity of cylinders           |           | 4 - 5130 cm³                              |
| Injection   |           | engine Injection direct                   |
| Engine cooling system                                 |           | Water                                     |
| Number of batteries / Battery / Batteries capacity    |           | 2 x 12 V / 120 Ah                         |
| Transmission  |           |   |
| Transmission type                                     |           | Hydrostatic                               |
| Number of gears (forward / reverse)                   |           | 2 2                                       |
| Max. travel speed                                     |           | 40 km/h                                   |
| Drawbar pull (Laden)                                  |           | 8700 daN                                  |
| Parking brake   |           | Automatic Negative Hand-brake             |
| Service brake   |           | Hydraulic                                 |
| Hydraulics  |           |   |
| Hydraulic pump type                                   |           | Gear pump                                 |
| Hydraulic flow  |           | 115 l/min                                 |
| Hydraulic Pressure                                    |           | 275 Bar                                   |
| Tank capacities                                       |           |   |
| Engine oil  |           | 14 l                                      |
| Hydraulic oil   |           | 225 l                                     |
| Fuel tank   |           | 305 l                                     |
| Diesel Exhaust fluid (AdBlue® type)                   |           | 57 l                                      |
| Noise and vibration                                   |           |   |
| Noise at driving position (LpA)                       |           | 79.7 dB(A)                                |
| Environmental noise (LwA)                             |           | 108 dB(A)                                 |
| Vibration to whole hand/arm                           |           | < 2.50 m/s²                               |
| Miscellaneous   |           |   |
| Steering wheels (front / rear)                        |           | 2 / 2                                     |
| Controls  |           | 2 Joysticks                               |
| Safety cab homologation                               |           | ROPS - FOPS cab (level 2)                 |
| Attachment recognition system (E-Reco)                |           | Standard                                  |

## Tekening met afmetingen



### Andere gegevens

|   |
|---|
| Overall length (with forks)                       |
| Length to face of forks                           |
| Length of frame                                   |
| Wheelbase   |
| Ground clearance                                  |
| Counterweight offset (turret at 90°)              |
| Tilt-up angle                                     |
| Tilt-down angle                                   |
| Overall length at stabilisers                     |
| Outer frame turning radius                        |
| Outer turning radius (with forks)                 |
| Overall width                                     |
| Overall width with stabilisers extended           |
| Overall cab width                                 |
| Overall height                                    |
| Frame levelling corrector                         |
| Ground clearance under front tires on stabilizers |

l1

l2

l14

y

m4

a7

a4

a5

l12

Wa3

b15

b1

b7

b4

h17

a9

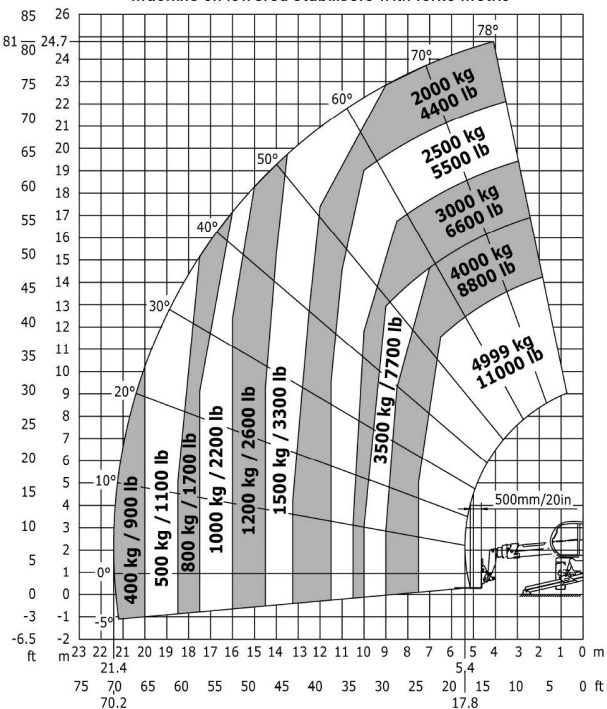
m5

### Metrisch

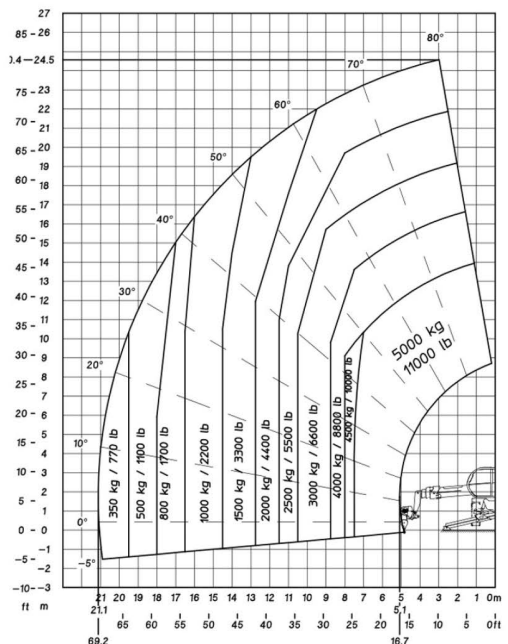
|         |
|---------|
| 9.04 m  |
| 7.84 m  |
| 5.35 m  |
| 3.05 m  |
| 0.35 m  |
| 3.18 m  |
| 13 °    |
| 102 °   |
| 5.19 m  |
| 5.23 m  |
| 6.92 m  |
| 2.49 m  |
| 5.55 m  |
| 0.99 m  |
| 3.05 m  |
| +/- 8 ° |
| 0.23 m  |

## Lastendiagram

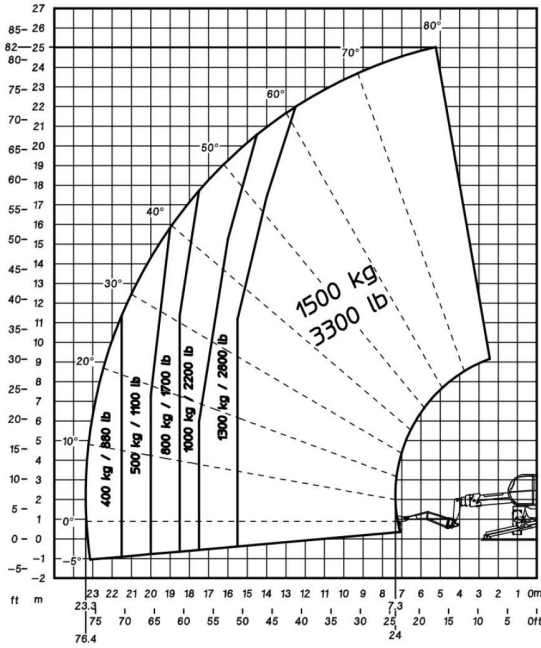
Machine on lowered stabilisers with forks Metric



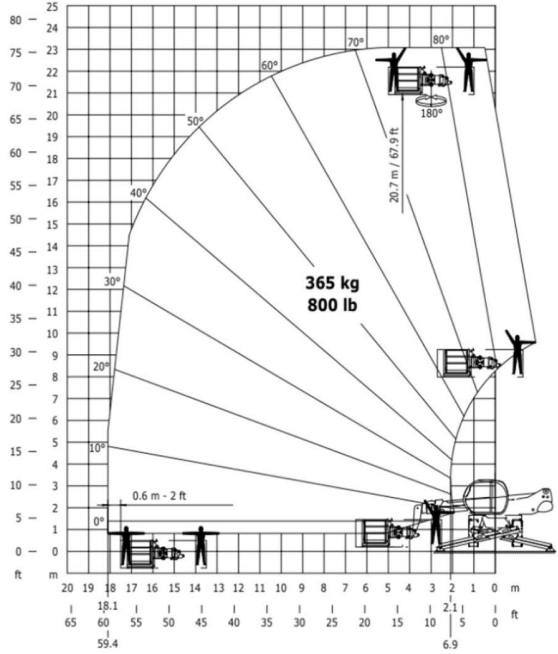
Machine on lowered stabilisers with winch 5000 kg Metric



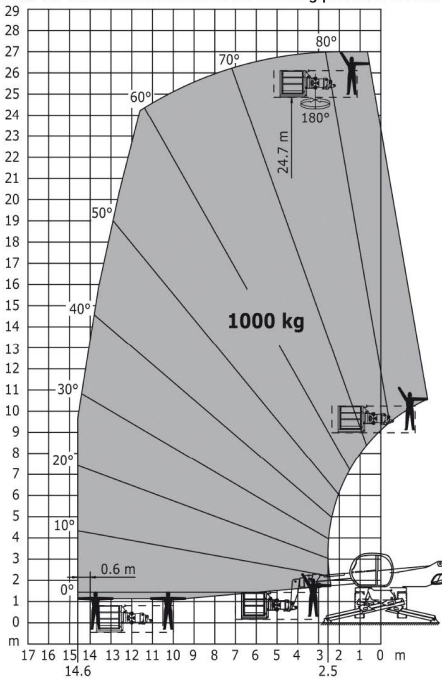
Machine on lowered stabilisers with 1500 kg jib Metric



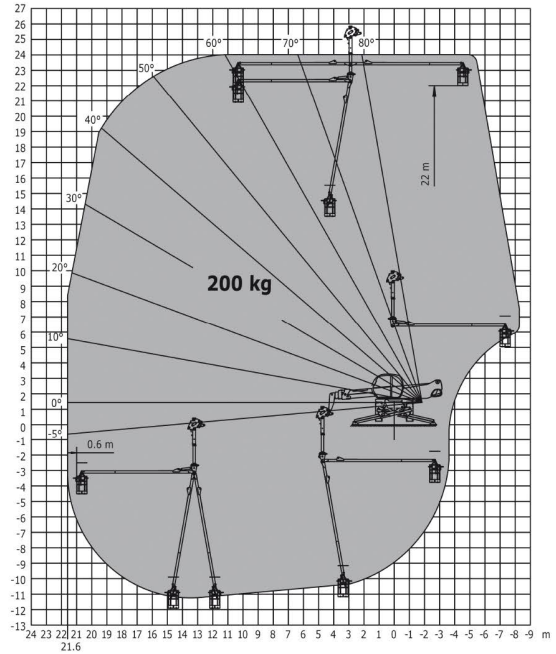
Machine on lowered stabilisers with 365 kg platform Metric



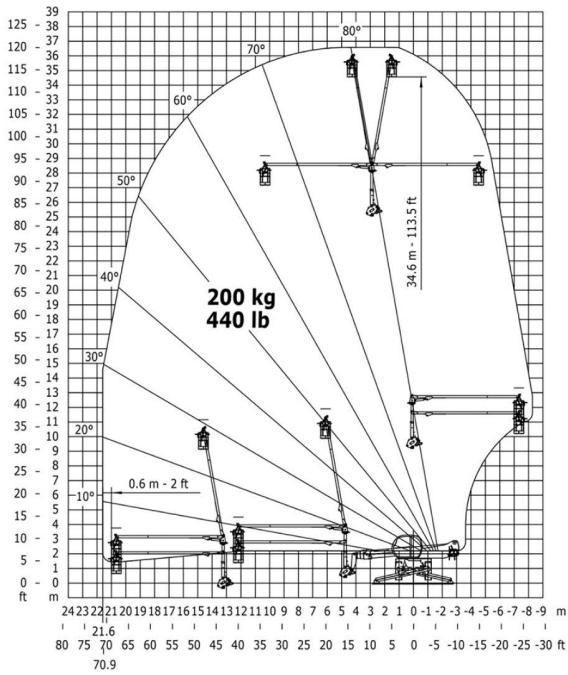
Machine on lowered stabilisers with 1000 kg platform Metric



Machine on lowered stabilisers with 3D negative Metric



Machine on lowered stabilisers with 3D positive / negative Metric



Machine on tyres with forks Metric

