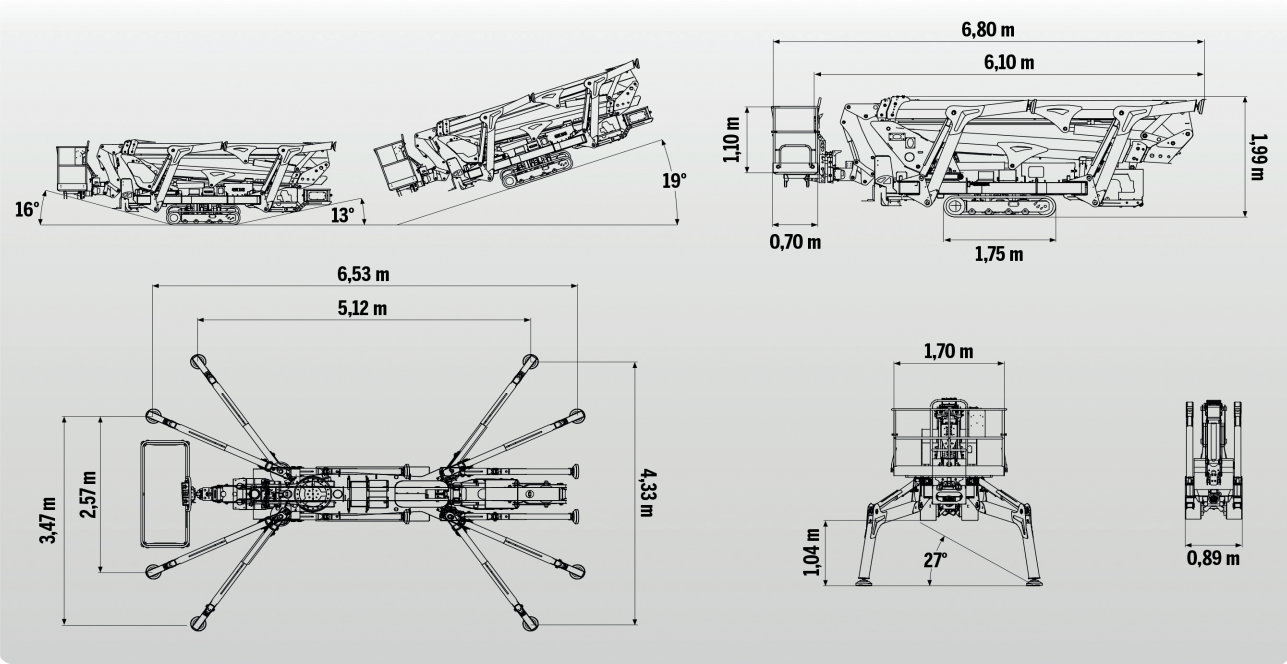


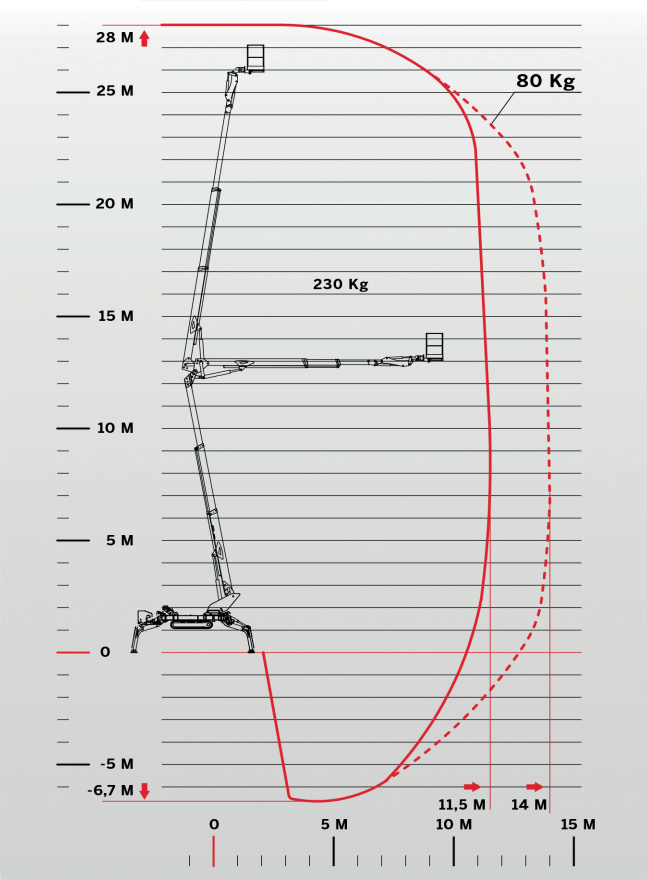


TECHNICAL DATA



MAXIMUM LOAD

230 KG + 70 KG ✗ 80 KG



PERFORMANCE

	28,00 m		1,1x0,7x1,7 m
	-6,70 m		+/-90° (180°)
	14,00 m		400° non continuous
	230 Kg		4175 Kg

